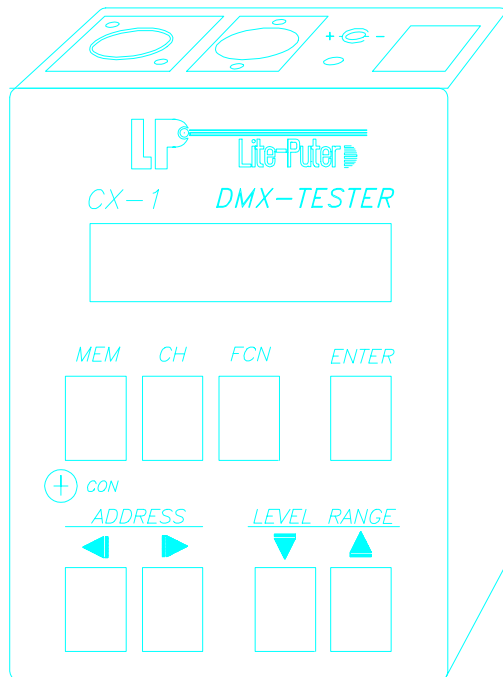




DIGITAL DMX TESTER

CX-1

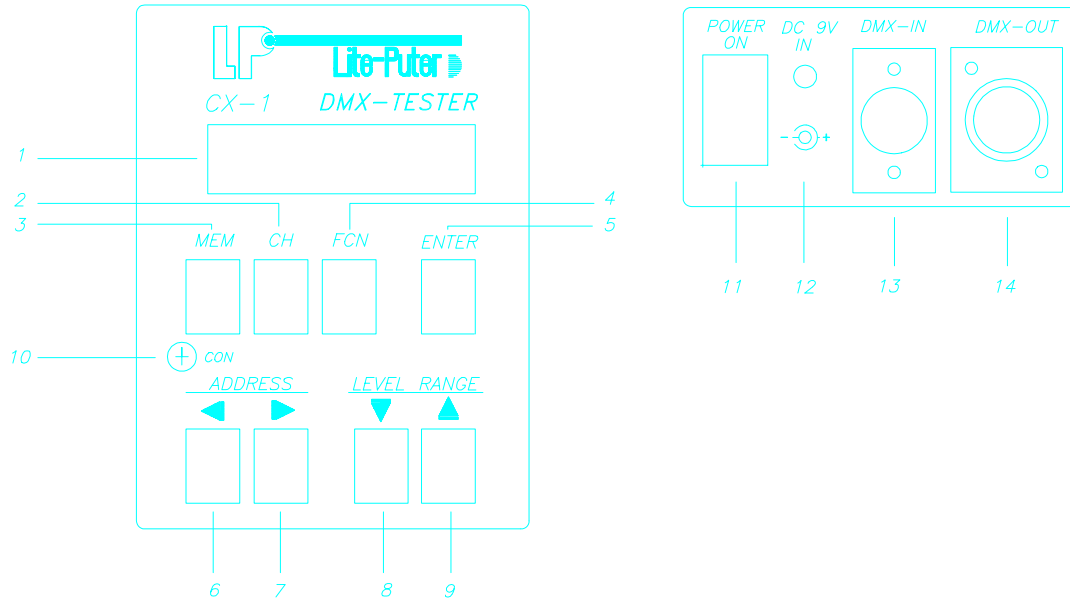
USER MANUAL



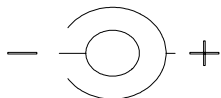
CONTENT

1) GENERAL FUNCTIONS WITH PRODUCT ILLUSTRATION.....	P. 1
2) SYSTEM CONFIGURATION.....	P. 2
3) BASIC OPERATION.....	P. 2
4) OPERATING MODES	
PRIMARY TESTING MODES	
[A] DMX OUT.....	P. 3
<i>Checks DMX code of each channel from dimmer.</i>	
[B] DMX IN.....	P. 6
<i>Checks DMX code of each channel from console.</i>	
[C] AUTO FADE.....	P. 7
<i>Checks DMX code fading in each channel from dimmer.</i>	
[D] INTELLIGENT LIGHTING.....	P. 8
SECONDARY MODES	
[E] REC. MEM.....	P. 9
[F] CLR. MEM.....	P. 10
[G] BACKLIGHT ON/OFF.....	P. 11
[H] POWER DOWN ON.....	P. 11
[I] UNIT TYPE % OR H	P. 12
<i>% = 0~100</i>	
<i>H = 00~FF</i>	
5) WARNING.....	P. 12

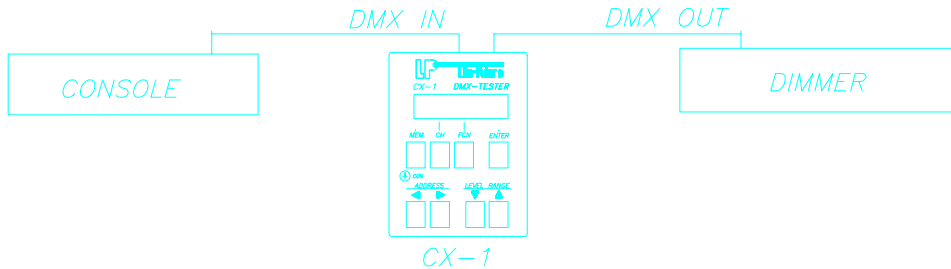
GENERAL FUNCTIONS



- [1] LCD DISPLAY
- [2] CH = Channel selector
- [3] MEM = Memory selector
- [4] FCN = Functions selector
- [5] Enter
- [6] < = ADDRESS -1
- [7] > = ADDRESS +1
- [8] ▲ = LEVEL +1
- [9] ▼ = LEVEL -1
- [10] CON = Contrast (Turning the screw changes the contrast)
- [11] POWER = Power switch
- [12] DC 9V. IN: DC 9V Input > 200mA



- [13] DMX IN : XLR 5 PIN DMX INPUT
- [14] DMX OUT: XLR 5 PIN DMX OUTPUT



BASIC OPERATION

NOTE;

- **IMPORTANT; PRIOR TO USE, CHARGE BATTERIES FOR 8 HOURS**
- **Power, during discontinued use, remains on only for 5 minutes.**
- **If power went down, , turn switch off, then back on again. Once the CX-1 is on, press any key one time to return to previous operation.**
- **All testing is accomplished through one of the primary testing functions**
- **All measurements are recorded and displayed in either;**
 - 1) percentages (%) OR 2) hexadecimals (h)**If wish to change, see secondary mode: UNIT TYPE**

To enter into the desired function;

STEP ① Press FCN or ADDRESS key until desired primary testing or secondary function is shown in the LCD display.

STEP ② Press ENTER key to enter function.

STEP ③ Follow function description as described on the following pages.

STEP ④ Once in primary testing mode, and wish to enter into a secondary mode, press FCN switch until desired mode is reached.

STEP ⑤ After secondary mode is completed, LCD screen automatically returns back to previous primary testing mode.

ATTN: DMX OUT; Returns to step 1

DMX IN: Returns to original step.

INTELLIGENT LIGHTING: Returns to company's I.L.

AUTO FADE: Returns to step 1

PRIMARY TESTING FUNCTION A

DMX OUT

NOTES

- For quick changes of levels (0 →50→100→0..), push ▼ and ▲ at same time.
- To record to memory, see REC MEM function
- 3 FUNCTIONS OF DMX OUT MODE

1) TO TEST ONE CHANNEL AT A TIME

1----->0%

Channel 1: at 0 percent

◀ ▶ = Changes channels (CH 1~512)

▲ ▼ = Changes level of the channel
 H UNIT; 00~FF
 % UNIT; 0~100

2) TO TEST A CONTINUOUS SET OF CHANNELS AT THE SAME LEVEL

STEP ① Select starting channel as described above

STEP ② Push “CH” key button

1----- 2-----> 0%

Start channel 1.... thru.... end channel 2: All channels at 0 percent

◀ ▶ = Adjusts the end channel (range of channels to be tested)

▲ ▼ = Changes level of the channels output
 H UNIT; 00~FF
 % UNIT; 0~100

3) TO TEST A CONTINUOUS SET OF CHANNELS AT DIFFERENT LEVELS

STEP ① Once in DMX OUT, press MEM switch.

1----->0%

ENTER

STEP ② Select BUFFER or a clear memory file (< > changes file).

M00 BUFFER OR M01 ~ 09 EMPTY

Buffer Select memory files #01 ~ 09 empty

Attn: If all files show RECORDED, then modify existing file or clear a file by entering into CLR MEM mode.

STEP ③ If wish to modify a previously recorded file, go to step ⑤

STEP ④ If a empty memory file was selected, go to STEP ⑥

STEP ⑤ 2 ways to modify:

a) Increases or decreases all channel levels at same time.

M02 1----->1%

b) 1 x 1 modify each channel's level. (press "CH" key button)

M02* 1----->1%

< > = Adjusts the channel to be tested.

▲ ▼ = Changes level of the channel's output.

H UNIT; 00~FF

% UNIT; 0~100

Attn: To cancel all modifications, and return to original setting as well as canceling * press ENTER.

NOTE: All new settings must be recorded as described on page 9.

EMPTY MEMORY SETTING

STEP ① Press < >, select start channel

M01 ADR CH 1

ENTER

STEP ②

M01 3 ----> 0%

ENTER

- < > = Adjusts the channel to be tested.
- ▲ ▼ = Changes level of the channel's output.
 - H UNIT; 00~FF
 - % UNIT; 0~100

(ATTN Maximum channel setting to output through buffer or a memory channel is 48 art channel + 47 channels).

PRIMARY TESTING FUNCTION B

DMX IN

NOTE:

- *Only 4 continuous channels from the indicated start channel can be checked at one time.*
- *If a single digit is shown in the beginning for each channel, measurement units are in %.
If double digits are shown in the beginning for each channel, measurement units are in hexadecimals.*

C 1->10.20.30.40

Start ch 1 ..thru.. End ch 4.

CHANNEL 1 LEVEL = 10

CHANNEL 2 LEVEL = 20

CHANNEL 3 LEVEL = 30

CHANNEL 4 LEVEL = 40

◀ ▶ Changes start channel

MAIN FUNCTION C.

AUTO FADE

1) TO TEST ONE CHANNEL'S FADING LEVEL AT A TIME

1-----> 0%

Channel 1 Levels fade 00~FF (hexadecimal unit)

< > = Changes different channels; 1~512

▲ ▼ = Changes speed of level fading time of the indicated channel

H display; 00~FF

% display; 0~100

2) TO TEST A CONTINUOUS SET OF CHANNELS' FADING LEVEL WITHIN THE SAME INDICATED LEVEL.

STEP ① *Select starting channel as described above*

STEP ② *Push CH key button, then select end channel.*

1----- 2-----> 0%

Start channel 1.... thru.... End channel 2 levels fade 00~FF (hexadecimal unit)

< > = Adjusts the end channel (range of channels to be tested)

▲ ▼ = Changes speed of level fading time of the indicated channels' output

H UNIT; 00~FF

% UNIT; 0~100

MAIN FUNCTION D. INTELLIGENT LIGHTING

STEP ① Select the manufacturer of the intelligent lighting using the address buttons < >, then press **ENTER**.

- | | |
|------------------|----------------|
| 1. LITE PUTER | 11. JB |
| 2. B + K | 12. LAMPO |
| 3. CAMELON | 13. MARTIN |
| 4. CLAY PAKY | 14. NJD |
| 5. COEMAR | 15. SGM |
| 6. COLOR CHANGER | 16. SHOW PRO |
| 7. F.A.L. | 17. STUDIO DUE |
| 8. F.L.Y. | 18. SUMMA |
| 9. G.L.P. | 19. SYNCROLITE |
| 10. HIGH END | 20. VARI LITE |

STEP ② Select the specific manufacturer's intelligent light using the address buttons < >, then press **ENTER**.

EXAMPLE:

LITE PUTER **ENTER**

LITE PUTER SCAN **ENTER**

START CHANL 1

< > Changes start channel
ENTER

COLOR 1.....50%

< > Changes channel's name/functions;
EXAMPLE: LITE PUTER - COLOR 1 (start ch.) ➡ GOBO 1 (start ch+1) ➡
PAN (start ch+2) ➡ TILT (start ch.+3)

▲ ▼ Changes level or movement .
All channels' names/functions start at 50% .

SECONDARY FUNCTION E
REC. MEMORY

STEP ① Press FCN until REC MEM mode

REC MEM

ENTER

STEP ② Select empty memory file (◀ ▶ change file)

M01 ~ M10

ENTER

To see setting, press enter again.

NOTES;

- Can not modify buffer status in REC MEM mode. Can not record data on a single channel as described in function #1, and #2 of DMX OUT. User must enter data through function #3 of DMX OUT.
- 10 Memories available; M01 - M10
- Each memory can record up to 48 channels.
(start ch +47channels)

SECONDARY FUNCTION F

CLR. MEM

TO CLEAR BUFFER;

M00 BUFFER

ENTER

TO CLEAR INDIVIDUAL MEMORY FILES;

M01 ~M10

ENTER

TO CLEAR ALL MEMORY FILES;

M00 ~M10

MEM + ENTER (At the same time)

NOTE; ● < > *Changes memory file*

- *After clearing memory, operation returns back to previous primary testing mode*

SECONDARY FUNCTION G BACKLIGHT ON / OFF

NOTE; ● *After the backlight has been turned on, and the CX-1 has not been used for 30 seconds, the light will automatically turn off.*

TO TURN ON / OFF BACKLIGHT

Enter in either;

- 1) Backlight function, then press ENTER.*
- 2) End of each function step, then press ENTER.*

SECONDARY FUNCTION H POWER DOWN ON

NOTE; ● *Power, during discontinued use, remains on only for 5 minutes.*
● *If power went down, , turn switch off, then back on again. Once the CX-1 is on, press FCN one time to return to previous operation.*

TO TURN ON / OFF POWER DOWN MODE

Enter into the POWER DOWN mode, then press ENTER.

ATTN; ● *After ENTER has been pressed, power down mode will automatically be changed, and the LCD will indicate the previous primary testing mode.*

SECONDARY FUNCTION I UNIT TYPE % OR H

NOTE; ● *All measurements are recorded and displayed in either;*

- 1) percentages (%)*
- 2) hexadecimals (h)*

- *After measurement unit type has been selected will measurement unit type will automatically be changed, and the LCD will indicate the previous primary testing mode.*

UNIT TYPE % OR H

ENTER

1. PERCENTAGE

2. HEXADECIMAL

ENTER

◀ ▶ *CHANGES MEASUREMENT UNIT TYPE .*

WARNING

- *Guarantee is void if improperly connected.*
- *Internal repairs to be done by a professional technician.*

LITE-PUTER ENTERPRISE CO., LTD.

P.O. BOX 1-33, HSI-CHIH, TAIPEI HSIEN, TAIWAN, R.O.C.

TEL: 886-2-2648-6545

FAX: 886-2-2648-6546

E-MAIL: litecom@ms2.hinet.net

INTERNET: <http://www.liteputer.com.tw>