



TP-1201P

OPERATION MANUAL

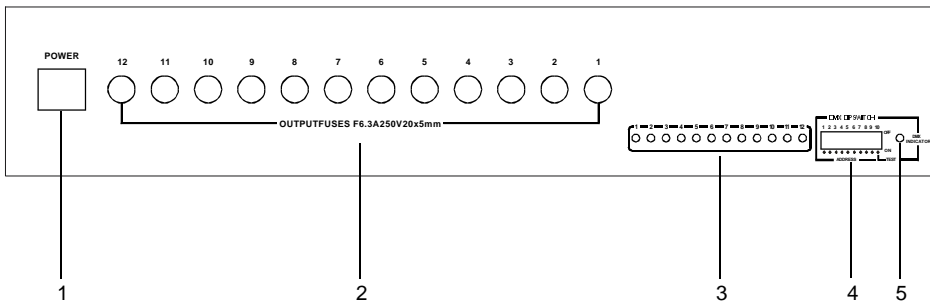
INTRODUCTION:

This model is a 12CH. DMX power pack, incorporates ANALOGUE control and DMX mode. In DMX mode, there are 2 operating modes for option: self-test and DMX pack.

SPECIFICATIONS:

POWER INPUT AC 220-240V~50Hz
CHANNEL OUTPUT 0.05-6.3A per channel, total 40A max.
ANALOGUE SIGNAL DC +5-12V input,
DC CONTROL DC +20V, 400mA max. output
DMX SIGNAL by 3 pin XLR male & female x 1
DIMENSIONS 482.6x78x252mm
WEIGHT 3.7Kg

CONTROLS & FUNCTIONS



1. POWER SWITCH

2. CHANNEL FUSEx12

F6.3A 250V 5x20mm

3. CHANNEL INDICATORx12

When one or more channels are turned on, corresponding indicators illuminate.

4. DIP SWITCH

Set dip switch 10 to OFF position, this unit is in self-test mode.

There are total 9 speeds controlled by 9 dip switch respectively. When dip switch 9 is set to ON, the speed is fastest.

Set dip switch 10 to ON position, this unit is in DMX mode.

Follow DMX address setting printed on the top cover of this unit to select desired program.

There are total 512 address setting.

5. DMX INDICATOR

This indicator is on when DMX mode is effective.

**DMX Address Table
(Dipswitch10=ON)**



**TEST SETTING
(Dipswitch10=OFF,
1-9 SPEED CONTROL)**

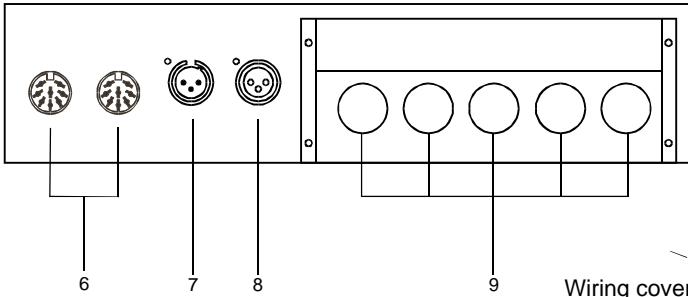
SLOW

TEST SPEED	SWITCH ON
1	1
2	2
3	3
4	4
5	5
6	6
7	7
8	8
9	9

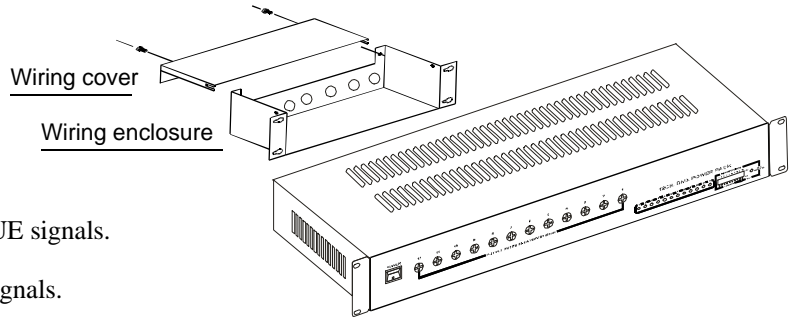
FAST

START CH#	SWITCHS ON	START CH#	SWITCHS ON
1	1	14	2, 3, 4
2	2	15	1, 2, 3, 4
3	1, 2	16	5
4	3	17	1, 5
5	1, 3	18	2, 5
6	2, 3	19	1, 2, 5
7	1, 2, 3	20	3, 5
8	4	21	1, 3, 5
9	1, 4	22	2, 3, 5
10	2, 4	:	:
11	1, 2, 4	:	:
12	3, 4	:	:
13	1, 3, 4	511	1,2,3,4,5,6,7,8,9





NOTE
TO INSTALL WIRING ENCLOSURE, PLEASE REFER TO BELOW ILLUSTRATION:



6. ANALOGUE INPUT

8 pin din socket x 2, use to receive ANALOGUE signals.

7. DMX INPUT

3 pin XLR male socket, use to receive DMX signals.

8. DMX OUTPUT

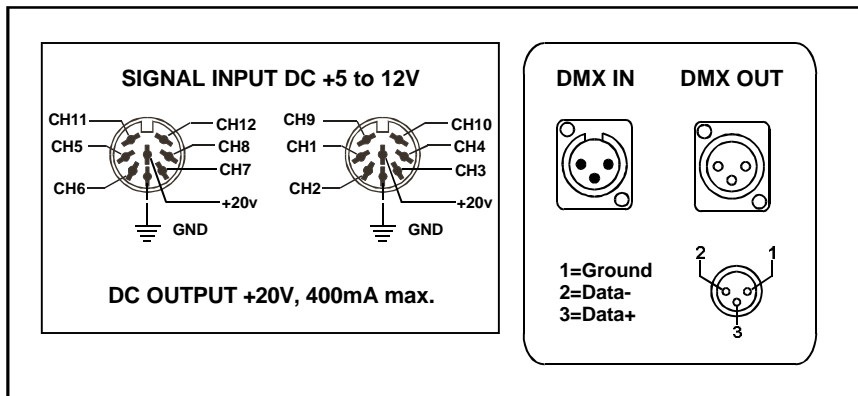
3 pin XLR female socket, use to send DMX signals.

9. OUTPUT WIRING PORT x 5

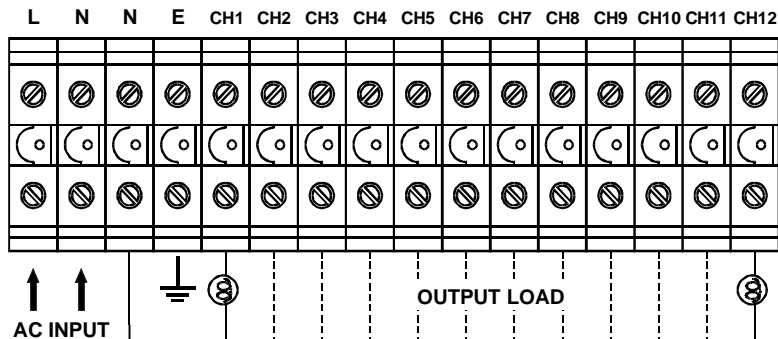
Use to connect to 12 channels output, 0.05-6.3A per channel, total 40A max.

NOTE: TO ESTABLISH PROPER CONNECTION, PLEASE REFER TO BELOW ILLUSTRATIONS:

CONTROL SIGNAL ARRANGEMENT



WIRING DIAGRAM OF 12 CHANNEL OUTPUT



⚠ WARNING:

1. THIS APPARATUS MUST BE EARTHED.
2. DISCONNECT POWER CABLE BEFORE OPENING.
3. TO PREVENT FIRE OR SHOCK HAZARD, DO NOT EXPOSE THIS APPARATUS TO RAIN OR MOISTURE.