



MEGASROBE 1500/DMX

OPERATION MANUAL

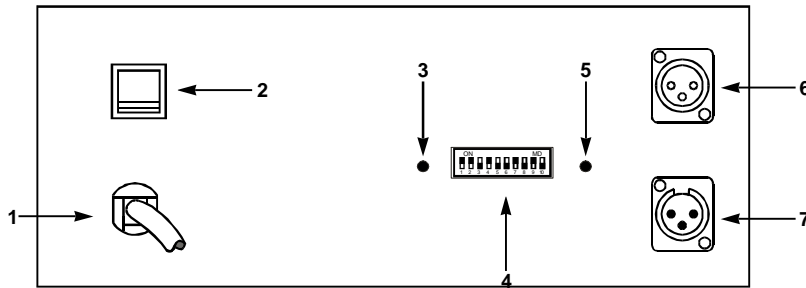
PRODUCT DESCRIPTION:

This model is a powerful DMX strobe that allows to control flash speed and dimmer. It has two operating mode by changing dip switch setting: self-test mode and DMX pack mode.

SPECIFICATIONS:

POWER INPUT	AC 230V~50/60Hz, 16A
PROTECTION	Circuit breaker 16A
FLASH TUBE	BT-1500, 500 thousand flashes
DIMENSIONS	447x224x162mm (bracket not included)
WEIGHT	5.65 Kg

GENERAL FUNCTIONS(REAR):



- 1. POWER INPUT:** AC 230V~50/60Hz, 16A
- 2. CIRCUIT BREAKER:** 16A
- 3. POWER INDICATOR:** Indicates when power is on.
- 4. DMX DIP SWITCH:** Assign dip switch 10 to ON, this unit is in DMX pack mode. Follow DMX addressing printed on the rear for desired speed and dimming settings. Assign dip switch 10 to OFF, this unit is in self-test mode, follow self-test settings to select desired chase.
- 5. DMX INDICATOR:** Indicates when DMX signal is available.
- 6. DMX SIGNAL OUTPUT:** XLR female socket, use to connect other SP-1500 .
- 7. DMX SIGNAL INPUT:** XLR male socket, use to receive DMX signals.

OPERATING INSTRUCTIONS:

- Please confirm power input is matched with that specified on this unit.
- Plug in power cord to turn the power on.
- This unit has two operating modes: self-test mode and DMX pack mode.
- Switch dip switch 10 to OFF position, this unit is in self-test mode. There are two self-test modes: AUTO and MANUAL. Set dip switch 9 to OFF, it performs AUTO self-test. When strobe flashes within the dimming range from 0% to 100% and then from 100% to 0%, a slower or faster speed will be executed. This strobe will flash with the regular speed corresponding to the variety of the duration of dimmer. Set dip switch 9 to ON, it performs MANUAL self-test. Dip switch 1, 2, 3, and 4 are assigned to control speed, and dip switch 5, 6, 7, and 8 are assigned to adjust dimming level.
- Switch dip switch 10 to ON position, this unit is in DMX pack mode. Follow DMX address setting printed on the rear for desired flash speed and dimmer.
- For safety, disconnect power cable when not using.

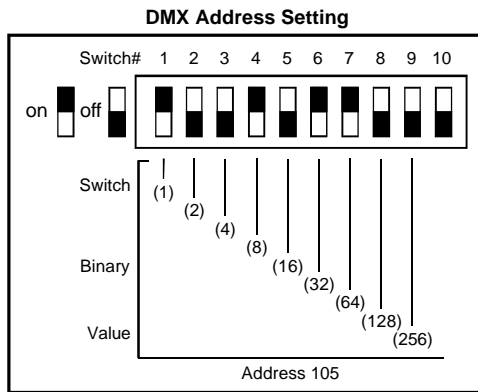
WARNING:

- 1. Avoid direct eye exposure.**
- 2. Disconnect from main power before replacing lamps or servicing unit.**
- 3. Remember to always replace with same lamp.**
- 4. To prevent fire or shock hazard, do not expose this unit to rain or moisture.**
- 5. This product must not be used continuously longer than 15 minutes under maximum speed and dimmer.**
- 6. Built-in temperature switch will shut down the circuit automatically when the temperature inside is too high.**



APPENDIX

1. In DMX pack mode, please refer to following illustrations for desired channel setting:



**DMX Address Table
(Dipswitch10=ON)**

START CH#	SWITCHS ON	START CH#	SWITCHS ON
1	1	11	1, 2, 4
2	2	12	3, 4
3	1, 2	13	1, 3, 4
4	3	14	2, 3, 4
5	1, 3	15	1, 2, 3, 4
6	2, 3	16	5
7	1, 2, 3	:	:
8	4	:	:
9	1, 4	:	:
10	2, 4	511	1,2,3,4,5,6,7,8,9

2. In self-test mode, please follow below table for desired chase:

**Self-test
(Dipswitch 10=OFF)**

MANUAL		AUTO	
Dipswitch	Function	Dipswitch	Function
9	ON	9	OFF
1-4	SPEED	1-8	RANDOM
5-8	DIMMER		

3. In MANUAL of self-test mode, speed and dimmer are classified as 16 levels respectively, and are specified as follows:

= ON = OFF

Level	Dip switch 1 2 3 4	Speed
1		Slowest
2		↓
3		
4		
5		
6		
7		
8		
9		
10		
11		
12		
13		
14		
15		
16		

Level	Dip switch 5 6 7 8	Dimmer
1		Min.
2		↓
3		
4		
5		
6		
7		
8		
9		
10		
11		
12		
13		
14		
15		
16		