



## FC-4 4 CHANNEL FOOT CONTROL OPERATION MANUAL

### FRONT PANEL

#### 1:FADE TIME KNOB (0-10S)

Fade time is 0-10 second. Control the brightness on range from minimum to maximum

#### 2:SPEED ADJUST KNOB

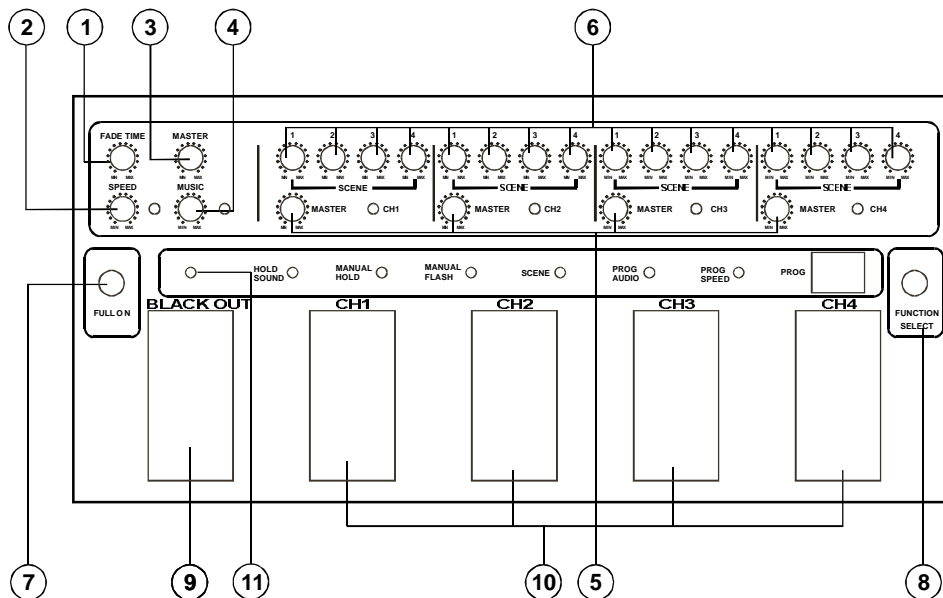
Adjust speed of chase.

#### 3:MASTER DIMMER

To master control the brightness.

#### 4:MUSIC LEVEL ADJUST KNOB

Adjust the speed and brightness of music.



#### 5:EACH CHANNEL MASTER DIMMER

Adjust musical range for each channel.

#### 6:SCENE SELECT KNOB

Adjust the output of scene for each channel.

#### 7:FULL-ON SWITCH

All output indicators is turned on when pressing on it.

#### 8:FUNCTION SELECT SWITCH

Select the six SELECT MODE: HOLD SOUND, MANUAL HOLD, MANUAL FLASH, SCENE, PROG AUDIO and PROG SPEED.

#### 9:BLACK OUT PEDAL SWITCH

Switch off all output indicator except FULL ON SWITCH is hold; all output indicator will turn off by pressing with foot, and the BLACK OUT LED(11) is flashing.

#### 10:EACH CHANNEL PEDAL SWITCH

Select each channel by pressing with foot.

#### 11: BLACK OUT INDICATOR

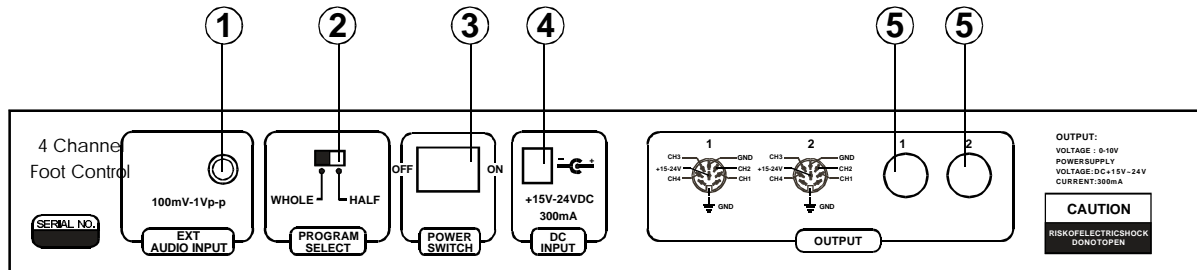
When BLACK OUT is effective, the indicator is flashing.



# REAR PANEL

## 1: EXTERNAL AUDIO INPUT ( RCA JACK )

Voltage range from 100mV to 1 Vp-p . The internal audio signal is cut by RCA jack.



## 2: HALF/WHOLE PROGRAM SELECT SWITCH.

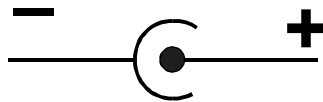
Half or full chose by the switch.

## 3: POWER SWITCH

Turn on or off the main power.

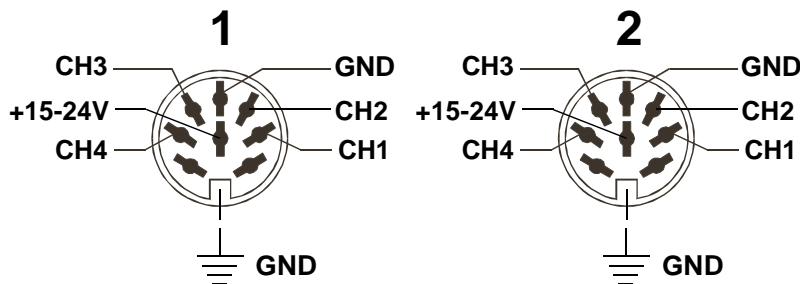
## 4: DC INPUT ( DC Jack center pin $\Phi 2.0\text{mm}$ )

DC input voltage, range from DC 15V to 24V at least 300mA, supply for the console.  
Polarity of DC jack shown as below figure.



## 5: OUTPUT SOCKETS ( 8 PIN DIN SOCKET )

Output voltage of each channel ranges from 0V to +10V.



# OPERATING INSTRUCTION:

## PRELIMINARY

There are six functional select modes on the console . Select one mode by pressing the FUNCTION SELECT button at once. The first priority is HOLD SOUND mode and indicator is illuminated when the power is turn on.

## OPERATION

### 1. HOLD SOUND mode

When the power is on, HOLD SOUND mode is effective and LED on. Perhaps you may select by use with FUNCTION SELECT button.

SOUND DIMMER is controlled by EACH CHANNEL MASTER DIMMER knob and MUSIC LEVEL ADJUST knob without pressing by foot; meanwhile, FADE TIME knob; MASTER knob and SPEED knob is malfunction.

Character of channel shown as below:

Ch1=bass, Ch2=lower medium, Ch3=high medium and Ch4=treble.

Foot pedal and hold at any CHANNEL PEDAL SWITCH, and indicator of this channel will be lighted. It is restored unless release foot switch.If foot pedal at BLACK OUT SWITCH, all may be off except for indicator of BLACK OUT flashing.

### 2. MANUAL HOLD mode

Pressing the FUNCTION SELECT button and release until the indicator is illuminated. This mode is controlled by MASTER knob, FADE TIME knob, and each channel MASTER knob. But SPEED knob and MUSIC knob is malfunction.

Foot pedal and hold at any one of CH1-CH4 PEDAL SWITCH, you may find the LED of channel is on. The switch affects the output signal. However, the LED of BLACK OUT flash and output closed when touch the BLACK OUT PEDAL SWITCH. If touch again,the LED turn off and go back the previous stage,except you press another pedal switch.

### 3. MANUAL FLASH mode

Choose this mode by pressing the FUNCTION SELECT button; release until the LED is on. The BLACK OUT PEDAL SWITCH is ineffective. On the other hand, the LED of channels will be turn on or off when you press or release CHANNEL PEDAL SWITCH by foot.

The output signal controlled by the switches as MANUAL HOLD mode.

### 4. SCENE mode

Pressing the FUNCTION SELECT(8) button and release until the SCENE LED is on. Using the CH1-CH4 PEDAL switch for monitoring the output state. Signals controlled by MASTER knob, FADE TIME knob and SCENE 1-4 knob of each channel. The SCENE responds to channel. Signals out controlled by the CH1-CH4 PEDAL SWITCH.You may stop the signal out by pressing the BLACK PEDAL SWITCH.

### 5. PROG AUDIO mode

Pressing the FUNCTION SELECT button and release until the LED is on. There are 16 program stored at this console . Select by the CH1-CH4 PEDAL SWITCH shown as follows: CH1 is responsible for four programs as 1,2,3 and 4 selected by pressing the CH1 PEDAL SWITCH. CH2 is responsible for four programs as 5,6,7 and 8 selected by pressing the CH2 PEDAL SWITCH. CH3 is responsible for four programs as 9,10,11 and 12 selected by pressing the CH3 PEDAL SWITCH. CH4 is responsible for four programs as 13,14,15 and 16 selected by pressing the CH4 PEDAL SWITCH. Speed controlled by MUSIC knob, output level controlled by MASTER knob, each channel MASTER knob and FADE TIME knob. However , the SPEED knob is ineffective.If closing the output of signal, pressing the BLACK PEDAL SWITCH by foot.

### 6. PROG SPEED

Pressing the FUNCTION SELECT button and release until the LED is on. This mode function is different from PROG AUDIO mode. It can make the control speed by use SPEED KNOB and MUSICAL LEVEL knob is malfunction.